







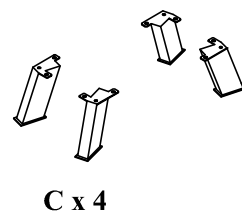
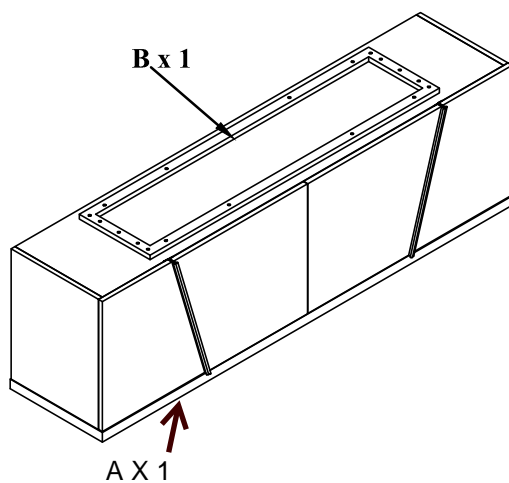


INDUSTRY SIDEBOARD ASSEMBLY INSTRUCTIONS

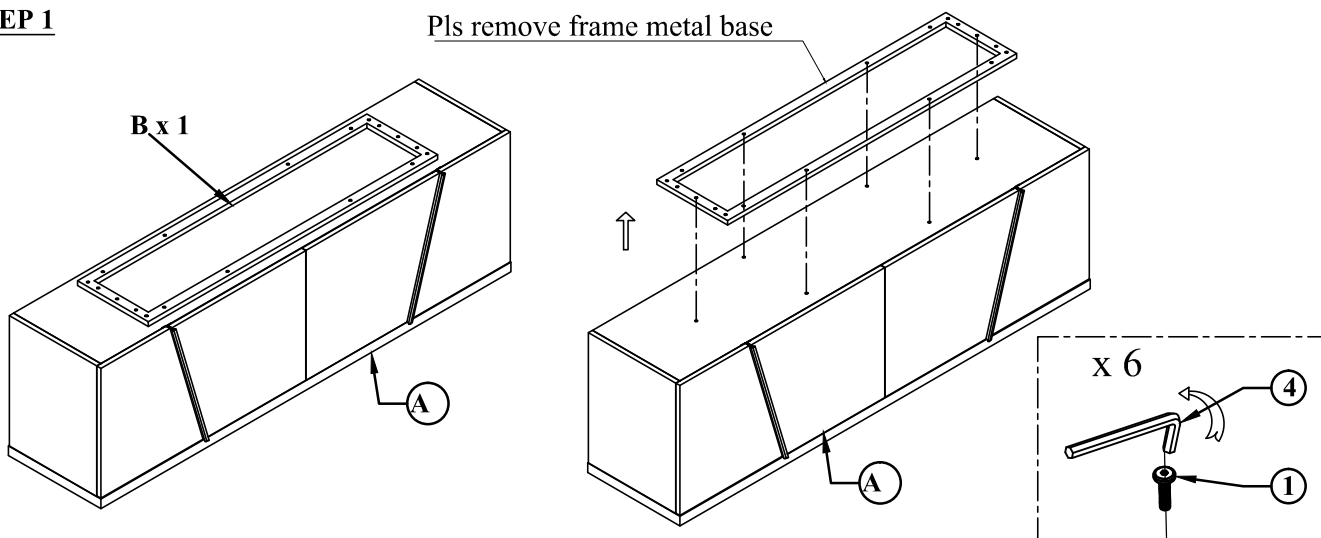
LIST OF HARDWARE

No.	Hardware	Q.ty
①	Bolts M6x20 	12
②	Washers M6 	14
③	Bolts M6x30 	06
④	Allen key K4 	01
⑤	Bracket 	04
⑥	Tie 	02
⑦	Screw M4 x 20 	04
⑧	Screw M4 x 35 	04



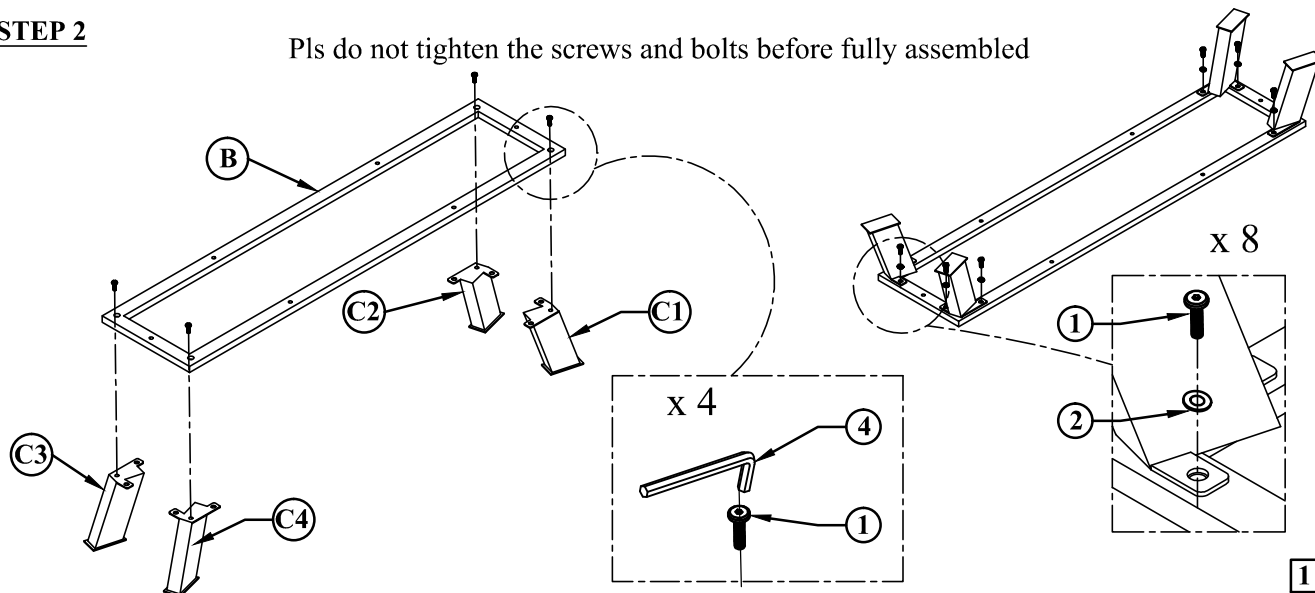
STEP 1

Pls remove frame metal base



STEP 2

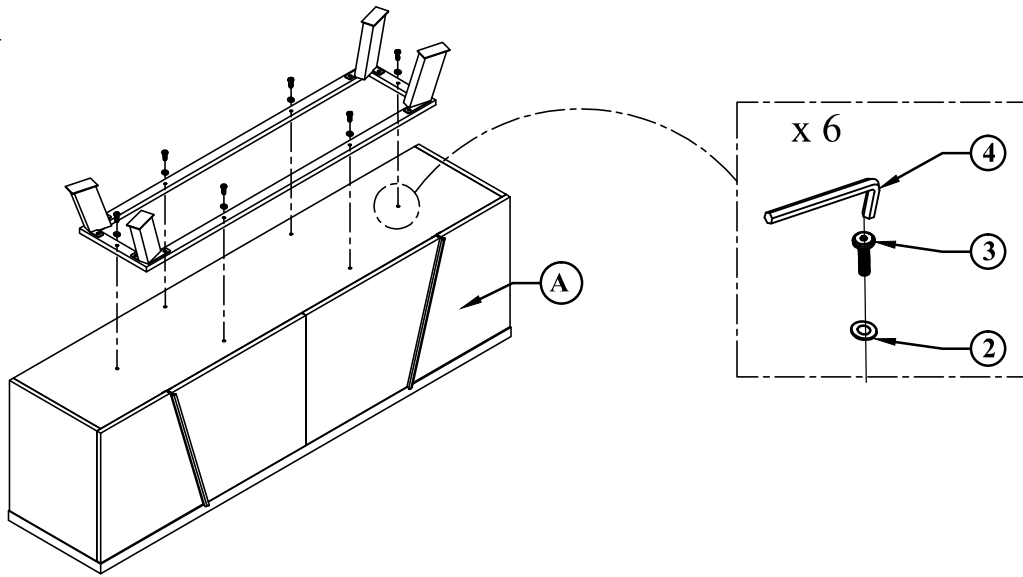
Pls do not tighten the screws and bolts before fully assembled



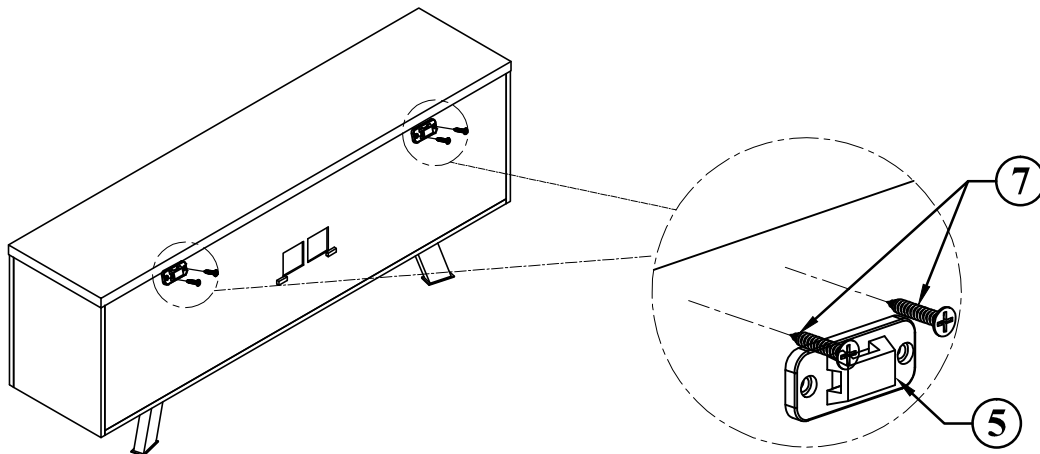
INDUSTRY SIDEBOARD

ASSEMBLY INSTRUCTIONS

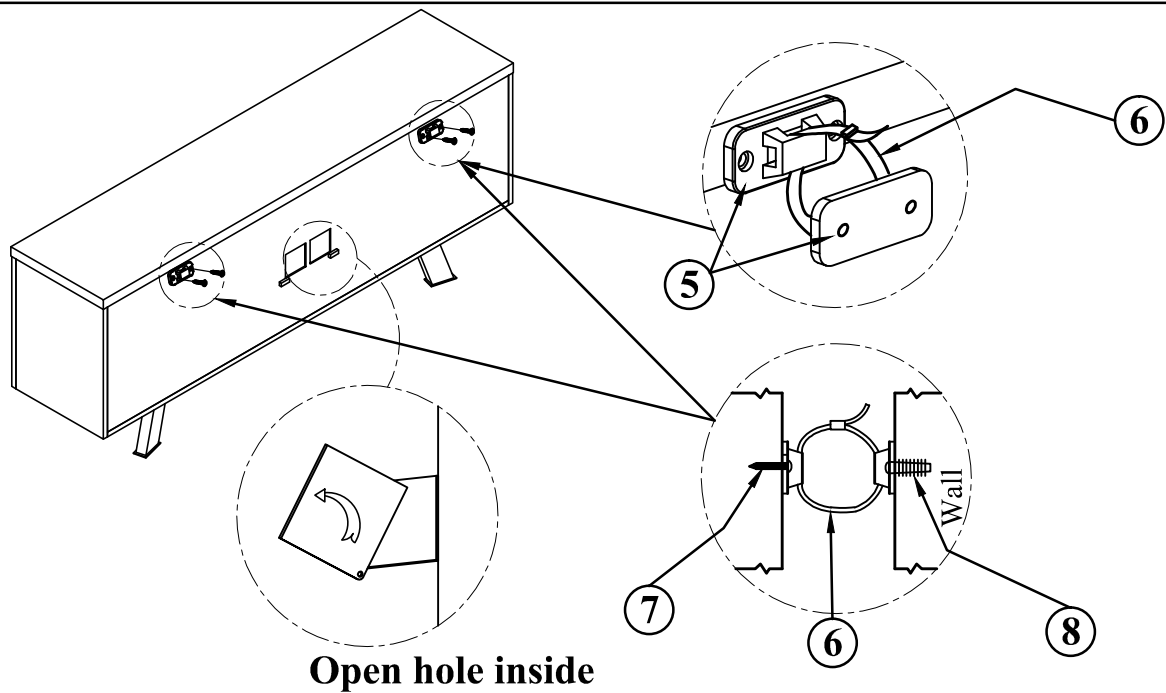
STEP 3



STEP 4



STEP 5



INDUSTRY SIDEBOARD
ASSEMBLY INSTRUCTIONS

FINISH

